



Chameleon

Because Safety is Never Black & White.



.....inspired by the ancient Greek word Khamailéōn (χαμαιλέων) meaning "Chameleon" 



8M **5M** **4M**
 4K ULTRA HD 5.0 MEGA 4.0 MEGA



Advert Tech Japan : 3 Decades of Excellence in Video Surveillance Design & Manufacturing

Advert Tech Japan presents an innovative surveillance solution introducing the Khamailéōn Series : "Adaptive Vision, Anytime, Anywhere" Network Surveillance Cameras, inspired by the ancient Greek word "χamailéōn" meaning "Chameleon". At Advert Tech Japan, with over three decades of proven expertise in Video Surveillance Product Design and Manufacturing, we have drawn inspiration from this ancient Greek term to bring you a comprehensive range of Khamailéōn Series full-color vision day and night network cameras.

The Khamailéōn Series cameras boast advanced Ai DSP technology, offering a wide array of AI Video Content Analytics functionalities. Imagine having an invisible line in your surveillance video that alerts you every time someone or something crosses it. Line Crossing Analytics detects such boundary crossings, proving invaluable for security or traffic management purposes.

Motion Detection operates like an ever-alert security guard, noticing even the slightest movement within the camera's view and immediately triggering alerts to keep your premises monitored.

Sensor Detection acts like a sensitive alarm system, responding instantly to inputs from connected sensors—whether door contacts, infrared beams, or environmental triggers—keeping you informed of any physical changes in the monitored area.

Regional Intrusion Detection establishes invisible security perimeters, alerting you when someone enters restricted zones, acting like a digital fence with a watchful eye.

Video Occlusion Detection operates as a vigilant monitor, detecting when the camera's view is blocked, obscured, or tampered with, ensuring uninterrupted surveillance.

Cross Detection behaves like a virtual crossing guard, recognizing people or vehicles crossing predefined lines or boundaries, immediately notifying authorities of unauthorized movement.

The Khamailéōn Series features cutting-edge specifications, including built-in Ray Gold Board technology, high-quality low lights sensors, vari-focal lenses, true day/night functionality, smart motion detection, and robust night vision capabilities, ensuring clear and reliable surveillance footage in various conditions.

With IEEE 802.3AF Class 2 PoE or 12VDC power options, the Khamailéōn Series offers flexibility and ease of installation, making it an ideal choice for a wide range of surveillance applications. Trust Khamailéōn Series cameras to provide unmatched visibility and security for your surveillance needs.

Chameleon Series Network Camera Datasheet



Product may vary in appearance and specifications.
Product available with PoE and Without PoE.

- 1/2.7" 8.0 Mega Sensor (AD-VFT-8M)
- 1/2.7" 5.0 Mega Sensor (AD-VFT-5M)
- 1/2.7" 4.0 Mega Sensor (AD-VFT-4M)
- Image Resolution and FPS :
25/30fps-3860x2160 (AD-VFT-8M)
25/30fps-2560x1960 (AD-VFT-5M)
25/30fps- 2560x1440 (AD-VFT-4M)
25/30fps-704x576, 640x480,352x288 (Secondary Stream)
- Dual Stream: Support Main Stream and Sub-stream
- 2.8~12 mm Motorized Vari-Focal Lens
- True Color Day / Night Image
- H.265,H.264,MJPEG Compression
- Support IE Operation and CMS Operation
- Support ONVIF Profile S Ver.2.4 or The 3rd.Party NVR / HVR on Request
- IP66 OUT-DOOR Housing
- Support TF Card Slot, max 128G for local storage
- Power Supply: 12V DC Input & PoE IEEE 802.3af Class 2
- 10~40 meters true Visual Distance
- High Power Array Warm LED Supreme Night Color Visibility

Camera IR Range & What You Can See :

Built-in IR light usually works up to 30~40 m, depending on the area. Target: average adult (1.7 m tall, standing).What the camera shows depends on zoom setting:
Detection (~2 px): you can see someone is there. Observation (~4 px): you can see a person clearly. Recognition (~8 px): you can guess clothing, gender, build.
Identification (~40 px): you may identify face or unique details.

In short:

At 2.7 mm, you cover a wide area but only get detail identification at short distance.

At 12 mm, you zoom in for longer distances and better identification, but the view is much narrower.

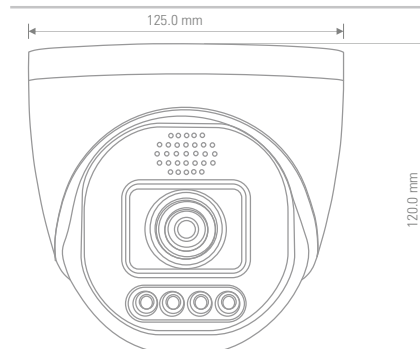
LensTypical HFOV (approx)	Detection (m) :	Observation (m) :	Recognition (m) :	Identification (m) :
2.7 mm~100°	40-60 m	20-30 m	15-30 m	6-12 m
12.0 mm~30°	120-150 m	60-80 m	50-70 m	20-35 m

TECHNICAL SPECIFICATIONS

Model Name	AD-VFT-8M (8.0 Mega)	AD-VFT-5M (5.0 Mega)	AD-VFT-4M (4.0 Mega)
VIDEO PARAMETERS			
Imaging Device	1/2.7" 8.0 Mega CMOS Sensor	1/2.7" 5.0 Mega CMOS Sensor	1/2.7" 4.0 Mega CMOS Sensor
Total Pixels	3,860(H)X2160(V)	2,560(H)X1,960(V)	2,568(H)X1,448(V)
Scanning System	Progressive Scan Sensor		
Min. Illumination	Color: 0.1Lux@F1.2 (AGC OFF), B/W: 0.01Lux@F1.2 (AGC ON)		
S/N Ratio	More than 50 dB (AGC OFF)		
Video Compression Format	H.265, H.264, M-JPEG		
Video Quality Adjustment	H.265, H.264: Compression Level, Target Bit rate Level Control (CBR/VBR), M-JPEG: Quality Level Control		
Data Rate Control Method	Video Compression level of H.265, H.264, Video Frame rate, Bit rate CBR or VBR		
Dual Stream	Main Stream: 3840*2160/3072*2048/ 2304*1296/1920*1080 Sub Stream: 720*576/640*480/ 352*288	Main Stream: 2560*1960/2592*1520/ 2048*1536/1920*1080 Sub Stream: 720*576/640*480/ 352*288	Main Stream: 2560*1440/2304*1296/1920*1080 1280*960/1280*720 Sub Stream: 720*576/640*480/ 352*288
Max. Frame rate	3840*2160@25/30fps; 3072*2048@25/30fps; 2304*1296@25/30fps; 1920*1080@25/30fps	2560*1440@25/30fps; 2304*1296@25/30fps; 1920*1080@25/30fps	4.0 Mega@25/30fps 1080P@25/30fps; 960P@25/30fps; 720P@25/30fps
LENS PARAMETER			
Lens Type	2.8~12 mm Motorized Vari-Focal Lens		
OTHER FUNCTIONS			
WDR	HDR WDR		
Digital Wide Dynamic Range	Support All Models		
Audio In	Built-in Mic		
Audio Out	Built-in Speaker		
Alarm In	Optional		
WiFi or TF Card (Micro SD)	Support 128 GB Max.		
Day&Night	Support All Models		
Digital Noise Reduction	3DNR		
Motion Detection	4 Area Selectable Support		
Privacy Masking	4 Area Selectable Support		
Gain Control	Max. AGC to 255		
White Balance	Auto White Balance (AWB)		
Electronic Shutter Speed	Auto/A.FLK/Manual		
Flip/Mirror	Support All Models		

IR PARAMETERS WITH SELECTION OF LENS	
True Wide and Tele IR LED	High Power Split Beam Customized 4 pcs. Array Warm LED
IR Distance & Lens	2.8~12 mm Motorized Vari-Focal Lens (10~40 mt.)
NETWORK PARAMETERS	
Ethernet	RJ45 for 10BASE-T/100BASE-TX PoE
Protocol	HTTP, PPPoE, UPNP, FTP, DDNS, VPN, RTSP, etc.
ONVIF Conformance	Support ONVIF Profile S Ver.2.4
Central Management Software	Support
ENVIRONMENTAL PARAMETERS	
Operating Temperature/ Humidity	-10°C to +50°C, 0% to 90% (non-condensing)
Ingress Protection	Waterproof Housing (IP66)
ELECTRICAL PARAMETERS	
Power over Ethernet	Power over Ethernet IEEE 802.3af Class 2
Input Voltage/ Current	190mA/DC12V; 330mA/DC12V with IR LED ON
Power Consumption	Day:2.3W Night:3.96W
MECHANICAL PARAMETERS	
Color/ Material	Body: White Epoxy Spray Paint / Aluminum Die Cast / PC Dome Cover
Dimensions	125.0mm (Ø) X 120.0mm (H)
Weight	Approx. 480 g

DIMENSIONS



The above mentioned technical drawings are for reference only.

Made in Japan

<http://www.adverttech.jp>

Print V1.1 Q3-2025

Advert Technologies may, at any time and without notice, make changes or improvements to the products and services offered and/or cease producing or commercializing them. The Advert logo and trademark are properties of Advert Technologies Japan.