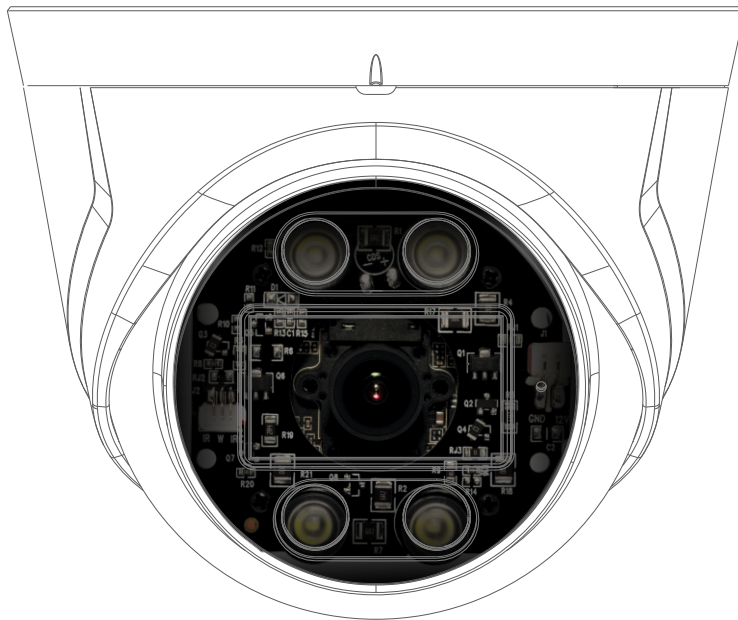




Chameleon

Because Safety is Never Black & White.



.....inspired by the ancient Greek word *Χαμαιλέων* (*χαιμαίλων*) meaning "Chameleon" 



8M 4K ULTRA HD **5M** 5.0 MEGA **4M** 4.0 MEGA



Advert Tech Japan : 3 Decades of Excellence in Video Surveillance Design & Manufacturing

Advert Tech Japan presents an innovative surveillance solution introducing the Khamailéōn Series : "Adaptive Vision, Anytime, Anywhere" Network Surveillance Cameras, inspired by the ancient Greek word "χαμαιλέων" meaning "Chameleon". At Advert Tech Japan, with over three decades of proven expertise in Video Surveillance Product Design and Manufacturing, we have drawn inspiration from this ancient Greek term to bring you a comprehensive range of Khamailéōn Series full-color vision day and night network cameras.

The Khamailéōn Series cameras boast advanced Ai DSP technology, offering a wide array of AI Video Content Analytics functionalities. Imagine having an invisible line in your surveillance video that alerts you every time someone or something crosses it. Line Crossing Analytics detects such boundary crossings, proving invaluable for security or traffic management purposes.

Motion Detection operates like an ever-alert security guard, noticing even the slightest movement within the camera's view and immediately triggering alerts to keep your premises monitored.

Sensor Detection acts like a sensitive alarm system, responding instantly to inputs from connected sensors—whether door contacts, infrared beams, or environmental triggers—keeping you informed of any physical changes in the monitored area.

Regional Intrusion Detection establishes invisible security perimeters, alerting you when someone enters restricted zones, acting like a digital fence with a watchful eye.

Video Occlusion Detection operates as a vigilant monitor, detecting when the camera's view is blocked, obscured, or tampered with, ensuring uninterrupted surveillance.

Cross Detection behaves like a virtual crossing guard, recognizing people or vehicles crossing predefined lines or boundaries, immediately notifying authorities of unauthorized movement.

The Khamailéōn Series features cutting-edge specifications, including built-in Ray Gold Board technology, high-quality low lights sensors, vari-focal lenses, true day/night functionality, smart motion detection, and robust night vision capabilities, ensuring clear and reliable surveillance footage in various conditions.

With IEEE 802.3AF Class 2 PoE or 12VDC power options, the Khamailéōn Series offers flexibility and ease of installation, making it an ideal choice for a wide range of surveillance applications. Trust Khamailéōn Series cameras to provide unmatched visibility and security for your surveillance needs.

Chameleon Series Network Camera Datasheet



Product may vary in appearance and specifications.
Product available with PoE and Without PoE.

- 1/2.7" 8.0 Mega Sensor (AD-FFT-8M / AD-FFT-8M-S SD-Card)
- 1/2.7" 5.0 Mega Sensor (AD-FFT-5M / AD-FFT-5M-S SD-Card)
- 1/2.7" 4.0 Mega Sensor (AD-FFT-4M / AD-FFT-4M-S SD-Card)
- Image Resolution and FPS :
25/30fps-3860x2160 (AD-FFT-8M / AD-FFT-8M-S SD-Card)
25/30fps-2560x1960 (AD-FFT-5M / AD-FFT-5M-S SD-Card)
25/30fps- 2560x1440 (AD-FFT-4M / AD-FFT-4M-S SD-Card)
25/30fps-704x576, 640x480,352x288 (Secondary)
- Dual Stream: Support Main Stream and Sub-stream
- 3.6 mm Fixed-Focal Lens (2.6 mm Fixed-Focal Lens Optional)
- True Color Day / Night Image
- H.265, H.264, Compression
- Support IE Operation and CMS Operation
- Support ONVIF Profile S Ver.2.4 or The 3rd.Party NVR / HVR on Request
- IP66 OUT-DOOR Housing
- Support TF Card Slot, max 128G for local storage
- Power Supply: 12V DC Input & PoE IEEE 802.3af Class 2
- 20~40 meters true Visual Distance
- High Power Array Warm LED Supreme Night Color Visibility

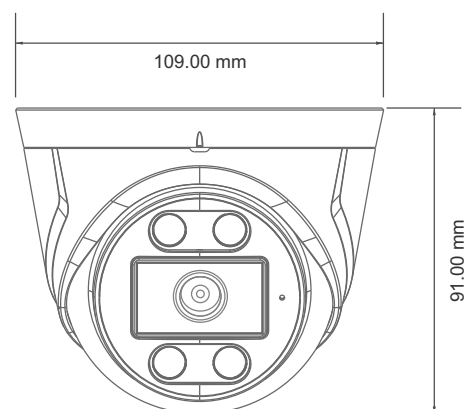
Camera IR Range & What You Can See Built-in IR light usually works up to 20-40 m, depending on the area. Target: average adult (1.7 m tall, standing).What the camera shows depends on how many pixels cover the person's height (rule of thumb, not exact):Detection (~2 px): you can see someone is there. Observation (~4 px): you can see a person clearly. Recognition (~8 px): you can guess clothing, gender, build. Identification (~40 px): you may identify face or unique details.
In short: 2.6 mm lens gives wider coverage but shorter detail range. 3.6 mm lens sees further but narrower.

LensTypical HFOV (approx)	Detection (m) :	Observation (m) :	Recognition (m) :	Identification (m) :
2.6 mm~100°	40-60 m	20-30 m	15-30 m	6-12 m
3.6 mm~85°	60-90 m	30-40 m	25-45 m	0-20 m

TECHNICAL SPECIFICATIONS

Model Name	AD-FFT-8M-S (8.0 Mega) AD-FFT-8M (W/O SD-Card)	AD-FFT-5M-S (5.0 Mega) AD-FFT-5M (W/O SD-Card)	AD-FFT-4M-S (4.0 Mega) AD-FFT-4M (W/O SD-Card) AD-FFT-4M-Lx (W/O SD-Card and Only IR)	IR PARAMETERS WITH SELECTION OF LENS
VIDEO PARAMETERS				True Wide and Tele IR LED High Power Split Beam Customized 4 pcs. Array Warm LED
Imaging Device	1/2.7" 8.0 Mega CMOS Sensor	1/2.7" 5.0 Mega CMOS Sensor	1/2.7" 2.0 Mega CMOS Sensor	IR Distance & Lens 3.6 mm Wide Fixed-Focal Lens (20~40 mt.)
Total Pixels	3,860(H)X2160(V)	2,560(H)X1,960(V)	2,568(H)X1,448(V)	NETWORK PARAMETERS
Scanning System	Progressive Scan Sensor			Ethernet RJ45 for 10BASE-T/100BASE-TX PoE
Min. Illumination	Color: 0.1Lux@F1.2 (AGC OFF), B/W: 0.01Lux@F1.2 (AGC ON)			Protocol HTTP, PPPoE, UPNP, FTP, DDNS, VPN, RTSP, etc.
S/N Ratio	More than 50 dB (AGC OFF)			ONVIF Conformance Support ONVIF Profile S Ver.2.4
Video Compression Format	H.265, H.264, M-JPEG			Central Management Software Support
Video Quality Adjustment	H.265, H.264: Compression Level, Target Bit rate Level Control (CBR/VBR), M-JPEG: Quality Level Control			ENVIRONMENTAL PARAMETERS
Data Rate Control Method	Video Compression level of H.265, H.264, Video Frame rate, Bit rate CBR or VBR			Operating Temperature/ Humidity -10°C to +50°C, 0% to 90% (non-condensing)
Dual Stream	Main Stream: 3840*2160/3072*2048/ 2304*1296/1920*1080 Sub Stream: 720*576/640*480/ 352*288	Main Stream: 2560*1960/2592*1520/ 2048*1536/1920*1080 Sub Stream: 720*576/640*480/ 352*288	Main Stream: 2560*1440/2304*1296/1920*1080 1280*960/1280*720 Sub Stream: 720*576/640*480/ 352*288	Ingress Protection Waterproof Housing (IP66)
Max. Frame rate	3840*2160@25/30fps; 3072*2048@25/30fps; 2304*1296@25/30fps; 1920*1080@25/30fps	2560*1440@25/30fps; 2304*1296@25/30fps; 1920*1080@25/30fps	4.0 Mega@25/30fps 1080P@25/30fps; 960P@25/30fps; 720P@25/30fps	ELECTRICAL PARAMETERS
LENS PARAMETER				Power over Ethernet Power over Ethernet IEEE 802.3af Class 2
Lens Type	3.6 mm Fixed-Focal Lens (2.6 mm Fixed-Focal Lens Optional)			Input Voltage/ Current 190mA/DC12V; 330mA/DC12V with IR LED ON
OTHER FUNCTIONS				Power Consumption Day:2.3W Night:3.96W
WDR	HDR WDR			MECHANICAL PARAMETERS
Digital Wide Dynamic Range	Support All Models			Color/ Material Body: White Epoxy Spray Paint / Aluminum Die Cast / PC Cover
Audio In	Built-in Mic			Dimensions 109.0mm (Base Dia.) X 91.0mm (H)
Audio Out	Built-in Speaker			Weight Approx. 300 g
Alarm In	Optional			
WiFi or TF Card (Micro SD)	Support 128 GB Max. (Only S type Models)			
Day&Night	Support All Models			
Digital Noise Reduction	3DNR			
Motion Detection	4 Area Selectable Support			
Privacy Masking	4 Area Selectable Support			
Gain Control	Max. AGC to 255			
White Balance	Auto White Balance (AWB)			
Electronic Shutter Speed	Auto/A.FLK/Manual			
Flip/Mirror	Support All Models			

DIMENSIONS



The above mentioned technical drawings are for reference only.

Made in Japan

<http://www.adverttech.jp>

Print V1.1 Q3-2025

Advert Technologies may, at any time and without notice, make changes or improvements to the products and services offered and/or cease producing or commercializing them. The Advert logo and trademark are properties of Advert Technologies Japan.