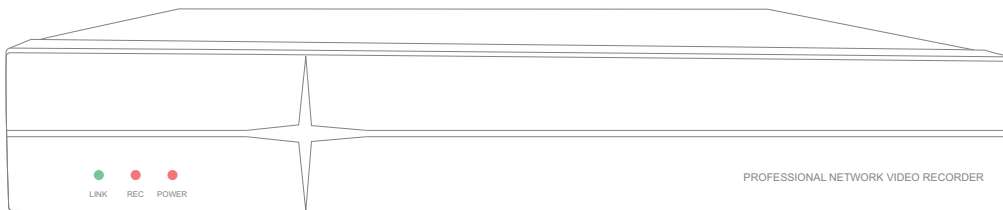




4K  
NVR



10CH. 4K NETWORK VIDEO RECORDER



10CH. NETWORK Video Recorder  
(4K) 8.0 / 5.0 / 3.0 / 2.0 / 1.3 Mega-Pixel H.265 NVR



Ver. 2.4 Compliant



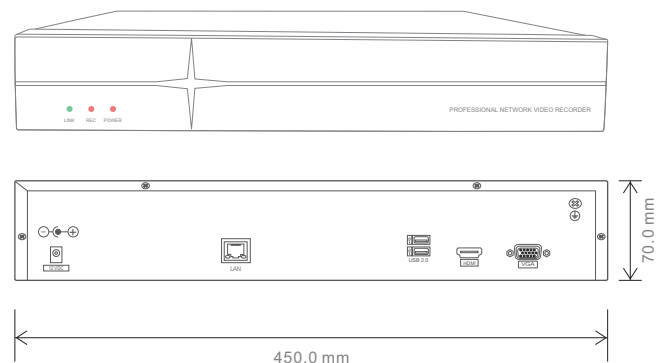
- 25FPS (PAL) / 30FPS (NTSC) each channel recording
- H.265+ / H.265 / H.264 triple stream decoding, embedded Linux operating system.
- Support 10CH 4K IPC input, IPC centralized management, including IPC parameter configuration, information export and import, real-time information acquisition and upgrade, etc.
- Support our Smart IPC: Humanoid Detection, target count, absent alarm, retrograde motion detection, E-bike detection, area intrusion.
- Support 64 channels VMS free
- Support 2.0 USB memory(USB flash Disk, USB HDD, USB CD/DVD etc.)
- Standard ONVIF, RTSP protocol.
- Support 15 x digital zoom in preview/ playback channel
- Easy backup method: network download to remote client
- Support 10M/100M Network Interface
- Web setting, playback and review, NVR status check & video storage.
- Fast and convenient shortcut operation : copy & paste for the settings.
- User Friendly GUI, remote control and mouse
- Networking method: PPPoE, NTP, DDNS, FTP, etc.
- Support 1 HDD SATA port (Max. 16TB).
- Support main mobile remote monitoring (iPhone/ iPad/ Android.)
- Support VGA & HDMI (Max. 4K) video output
- Industrial Design for 24-7-365 Operation

TECHNICAL SPECIFICATIONS

Model Number	ADN-4K10H1-Lx
<b>SYSTEM</b>	
Main Chipset	Ingenic
Operating System	Embedded Linux
Bandwidth	80 MBPS
<b>VIDEO PARAMETER</b>	
Video Compression	H.265+ / H.265 / H.264 Main Profile
Video Standard	PAL: 625 Line, 50f/s; NTSC: 525 Line, 60f/s
Video Format	NTSC/PAL
Recording	TOTAL 10 CH : 4K / 5.0 / 3.0 / 2.0 MEGA-25 FPS
Playback	1 CH. 4K (8.0) - 5.0 MEGA-25 FPS / 4 CH. - 3.0 - 2.0 MEGA-25 FPS
Video Output	1 VGA & 1 HDMI(Max. 4K)
<b>AUDIO PARAMETER</b>	
Audio Compression	G711a
Audio Input (RCA)	N.A.
Audio Output (RCA)	N.A.
Intercom	N.A.
<b>INTERFACE</b>	
USB (2.0)	2
USB (3.0)	N.A.
Network	1 RJ-45 (10M/100M) LAN
RS485	N.A.
Alarm Input	N.A.
Alarm Output	N.A.
e-SATA	N.A.
HDD Port	1 SATA port (Max. 16TB)
<b>OPERATION</b>	
CMS	Support
IE Browser	Support
Snapshot	Support
Zoom	Support 15 x digital zoom in preview/ playback channel
Mobile Monitor	Support
<b>FUNCTION</b>	
Backup	USB,HDD,Network
Alarm Mode	MD,VB,VL,AI,AO
Alarm Handling	Message,Email,Buzzer,FTP
Split Mode	1,4,9,16
Event Log	Support
Search Mode	By Time,By Event Type
DDNS / P2P	Support P2P with QR Code
ONVIF	Support
Network Service	PPPoE,NTP,DDNS,FTP
DST Time	Support

Model Number	ADN-4K10H1-Lx
<b>POWER</b>	
Power Supply	100-240VAC / DC12V 2.0A
Power Consumption	≤10W (without HDD)
<b>OTHERS</b>	
GUI	Support
Application	XP/Vista,Win7
Mobile Software	iPhone, iPad, Android,
Multi-Language	Support
Working Temperature	0 - 55 Degree Celsius
Size(mm)	450mm*240mm*70mm
Weight(kg)	≤1.2 kg. (Without HDD)

DIMENSIONS



The above mentioned technical drawings are for reference only.

Advert Technologies may, at any time and without notice, make changes or improvements to the products and services offered and/or cease producing or commercializing them. The Advert logo and trademark are properties of Advert Technologies Japan.

Made in Japan

<http://www.adverttech.jp>

Print V1.1 Q3-2025

Authorised Dealer / Representative.